



**Easy-Switch
GSM Temperature Alert and
Monitoring System**

USER MANUAL

INTRODUCTION

The Easy-Switch GSM Temperature Alert and Monitoring System allows the user to pre-set a temperature range and receive an alert via SMS and phone call if the current temperature exceeds the pre-set range.

If the temperature is too low or too high, the GSM temperature alert system will call and send a warning SMS messages up to 5 users allowing you to take action or you can call to the unit to activate the relay manually or let the unit active the relay automatically to correct the temperature

The temperature sensor can be adjusted from minimum –49 to maximum 129 Celsius and the unit can be set to alarm on over temperature or under temperature. In case the temperature problem is due to power failure, the system incorporates a 7.2V backup battery will take over when the main fails.

The unit also has 1 x 30A heavy duty relay output can be used to switch on any application like lamps, pumps, heaters, motor etc when temperature exceeds the pre-set range. Output relay can be switched ON or OFF by calling its cell phone number or by sending an SMS command, there is no call charges incurred when dialling the unit as it will recognize an authorised telephone number calling it and reject the call without answering. This function is important to switch on the pump, air conditional, water supply if temperature beyond the setting point and to maintain the room temperature

The user also can set to switch on / off the generator, fan, AC, pumps, lighting automatically if temperature go beyond the set point by performing a very simple texts commands as per the below setting instruction

The unit will keep monitor the current temperature in the areas. The user can request the current temperature by sending a text message to the device. The user will receive an SMS with the current temperature level.

This unit supply with all the accessories you need together with a temperature sensors 3 meters lengths. If you required for additional lengths, please discuss with your distributor.

Beside temperature input, the unit supply with 2 digital inputs. The digital input can connect to any alarm sensors to monitor the security in the room. For examples, magnetic door sensor, motion detector and etc.

The unit detect loss of power. Once power outage is detected, the unit will call and SMS to your cell phone and / or sound an audible alert to make you aware of the power failure. The system using CE and FCC approved industry internal power supply connected on board. A backup lithium battery can power up at least 8 hours and will sent a power down or power restored alerts in the event of power failure

The GSM Remote Control system supports timer function, the user can set schedule to turn on / off the switch. For example, put your air conditional, fan, UV lighting on a schedule. "Turn off in 5 minutes", "turn on at 17:00, "turn on 1 year later"

This function is important for application to switch on the fan, AC, lighting for certain hours and switch off automatically. This application is widely use in the green house, chemical freezers which required certain time to increase / decrease the temperature ranges

The timer function also is an important feature to remind the owner to monitor the SIM Card expiry date. User can set the date and time and let the unit automatically sent the SMS text messages to the user to keep the SIM card active when expiry dates.

SETTING UP AND PROGRAMMING

When first booting up the system you will see Green LED Lights on the side of the Enclosure and it should light up when the Network is applied to the unit.

The Green LED is the network Indicator and this will light up when attempting to log on to the network flash inconsistently until it locates the network.

A Phone Call to the SIM Card Number will now Latch the Relay permanently ON and Switch the device being Controlled On.

The Status of the Relay will remain as on, until the unit receives a second Call to the Unit of which will now Latch the Relay Permanently off.

Both Calls used to Latch the Relay either on or off are automatically disconnected, once the relays are activated and never incur any Network Call Costs.

Beside calls to switch off or on, the unit also can be permanently switch off and on by sending the unit a text message command

Step 1 - The simplest set up methods to set up Administrator number

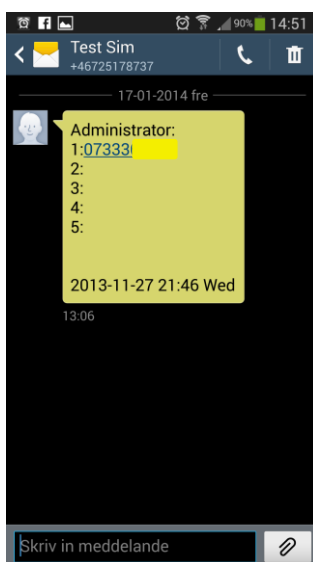
Applied the “KISS Principle”, keep it simple, stupid.

The GSM Remote Control Switch is easy to setup and use. Insert the SIM card, simply use your mobile phone call to the unit, your mobile phone number will automatically register as the 1st Administrators

You will receive the following SMS message from the unit –

Administrator:

- 1: 18617185299 (your phone number)
- 2:
- 3:
- 4:
- 5:



You already finish the set up. Now, you can use your mobile phone call to the SIM Card number switch the device on permanently. Another call to the SIM Card will switch the device off permanently.

If you do not required to go through details setting, please process to STEP3 – Final Installation and Wiring

Factory Reset

If you required to change the administrator number in the future, simply press the button “FACTORY” at the mother board until you hear the “du~” . This means the unit back to the factory default



This means you already reset the unit to factory default. Now you can start to call again to set the administrator.

This method of setting is only allowed to set 1 administrator number. If you wish to set more administrators, please go to Step 3 – Installation and set up

Step 2 - Advance Set Up

NO.	Description	Programming Code	SMS Texts Respond	Function
1	First Step of programming, you must enter the factory passwords of 1234 and go inside the programming mode. You only can perform the next commands after enter into programming mode	*0*1234#	You get administrator privileges! 2013-10-09 00:33 Wed	When you enter *0*1234#, you enter into the programming mode. You must perform the next command in 10 minutes. If you did not do anything, the system will exit from programming mode.
2	Change Password	*0*1234*new password# For example if you need to change to the new PW of 1212. *0*1234*1212#	New password<1212> 2013-10-10 16:07 Thu	Maximum 4 digits of passwords If you decide to protect your privacy, you can change the factory password to your new password. Enter the factory password follow by your new password.
3	Add telephone number into the admin list.	*1*1*telephone number# For example set Admin number 18617185300 into admin 2 *1*2*18617185300#	Administrator: 1: 15989427391 2: 18617185300 3: 4: 5: 2013-10-10 16:08 Thu	Set Admin Numbers ; *1*1* - set 1st admin number *1*2* - set 2nd admin number *1*3* - set 3rd admin number *1*4* - set 4th admin number *1*5* - set 5th admin number Only the number in the list can receive alarm texts message and active the relay output. You can add up to 5 telephone number into the admin list.
4	Check phone number you program in the list	*2*	Administrator: 1: 15989427391 2: 18617185300 3: 4: 5: 2013-10-10 16:08 Thu	
5	Delete the admin number in the list.	*3*N# N = Admin number 1- 5 For example, if you want to delete admin no 2. just enter *3*2#	Administrator: 1: 15989427391 2: 3: 4: 5: 2013-10-10 16:08 Thu	Delete Admin Number Delete 1st admin *3*1# Delete 2nd admin *3*2# Delete 3rd admin *3*3# Delete 4th admin *3*4# Delete 5th admin *3*5#

6	Check the relay status in ON or OFF Mode.	*4*	Master relay <ON> 2013-10-10 16:10 Thu	The unit will return Master relay <ON> if the relay is on. The unit will return Master relay <OFF> if the relay is off.
7	Check Signal Strength	*5*	CSQ<28> 2013-10-10 16:11 Thu	You must confirm the signal strength at site before you install the unit. If the signal too weak, the unit will not function properly. CSQ 5 – 12 Signal too weak, system not function CSQ 13 - 24 Signal Good. System function well CSQ 25 – 32 Signal Excellent. System working well
8	Activate or Deactivate the Alarm Function	*10*N#	When Sending *10*0# Alarm switch<OFF> 2013-10-10 16:28 Thu	N=0 (Deactivate Alarm Function) N=1 (Activate Alarm Function) Factory Default Setting as N=1 For example, if you want to activate the alarm function just enter *10*1# When Deactivate Alarm Function, is equal to using the Remote Control to disarm. The D7 Green LED light in the system will turn off. All the function such as Outage Alarm, Temperature Report. When deactivate alarm function, all the alarm message will be deactivate When Activate Alarm Function, is equal to using the Remote Control to arm. The D7 Green LED light in the system will turn on. All the function such as Outage Alarm, Temperature Report.
9	Checking the status of the Alarm Function in the system	*11*	Alarm switch<ON> 2013-10-10 16:29 Thu	Check the status of the alarm function in the system

10	Setting the year, month, day, hours, minutes, week	*12*YYYYMMDDHHMMX#	<p>Time change OK!</p> <p>2013-10-10 16:05 Thu</p>	<p>YYYY=4 digit for Year MM = 2 digit for Month DD = 2 digit for Date HH = 2 digit for Hour MM = 2 digit for Minutes X = 1-7 (Day of the Week)</p> <p>Example set as *12*2013101016054# which means 2013-10-10 16:05 Thu</p> <p>If reprogram the date, it will take the last as the accurate date. The date have to be correct (if setting 2014-2-29 or 2013-11-31) this is the incorrect date which is not occur, the system will verify the date, time, day if correct, the date have to be after year 2013</p>
11	Schedule the ON/OFF for the Master Relay	*13*N*YYYYMMDDHHMM#	<p>Master relay off time: 2013-10-10 16:33</p> <p>2013-10-10 16:31 Thu</p> <p>When the programmed time is reach, the relay is either on or off, all the admin will get the reply SMS as per below.</p> <p>Since time is up! Master relay<OFF> 2013-10-10 16:33 Thu</p> <p>**Note: if the system is only ON after the scheduled time, the unit will still running accordingly.</p> <p>System startup! Master Replay <OFF> 2013-10-10 16:33 Thu</p>	<p>N=0 (Switch Off the Master Relay) N=1 (Switch On the Master Relay)</p> <p>YYYY=4 digit for Year MM = 2 digit for Month DD = 2 digit for Date HH = 2 digit for Hour MM = 2 digit for Minutes</p> <p>Example set as *13*0*201310101633# which means 2013-10-10 16:33 to switch off the master relay</p> <p>If reprogram the date, it will take the last as the correct date. If you program the date that already past, the system will alert you</p>
12	Checking the schedule time for Master Relay ON/OFF	*14*	<p>Master relay on time: Master relay off time: 2013-10-10 16:33</p> <p>2013-10-10 16:35 Thu</p>	<p>Checking the schedule time for Master Relay ON/OFF, when the time reach, the system will operate and it will delete the schedule time automatically.</p>

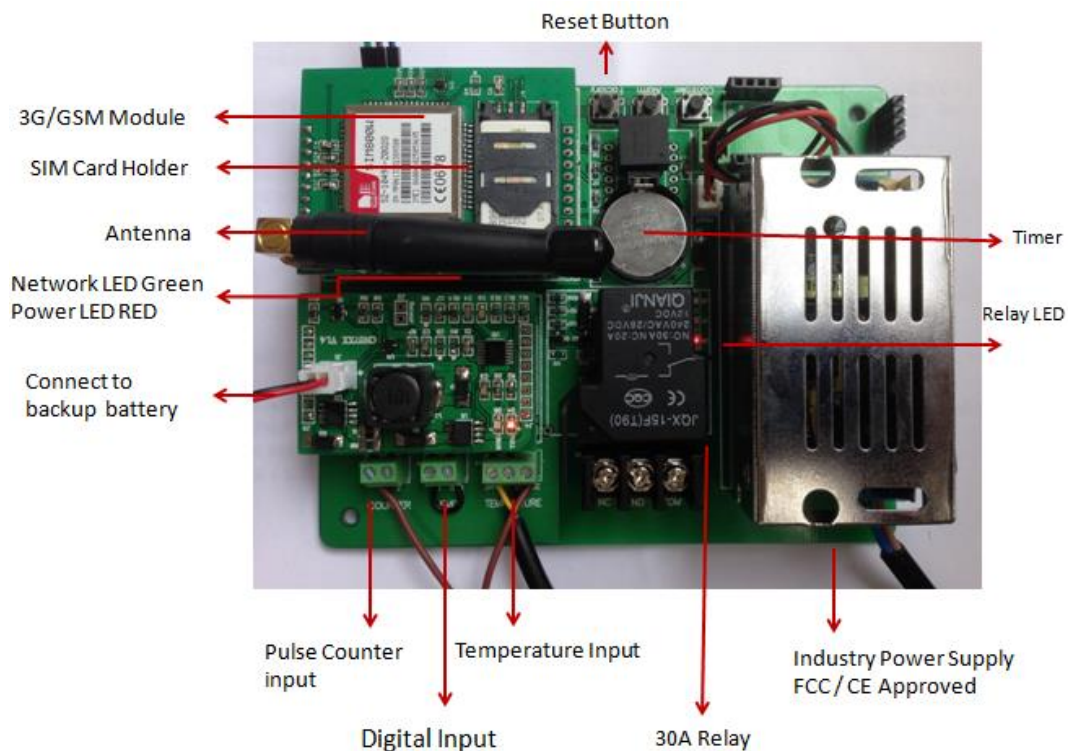
13	Delete the schedule time for the Master Relay ON/OFF	*15*N#	Master relay on time: Master relay off time: 2013-10-14 11:08 Mon	N=0 (Delete schedule of Relay OFF Time) N=1 (Delete schedule of Relay ON Time)
14	Setting high and low temperature alarm value	*16*N*XXX#	Low temperature: -2 degree celsius 2013-10-10 16:53 Thu Or High temperature: 32 degree celsius 2013-10-10 16:53 Thu	N=0 (Low Temperature Alarm Value) N=1 (High Temperature Alarm Value) When temperature is positive, XXX is the 3 digit value in °C When temperature is negative, the 1st value of X is - (negative), the last 2 XX is the 2 digit temperature value in °C XXX = -49°C to 129°C For Example: *16*0*-02# means setting the low temperature value as -2°C For Example: *16*0*032# means setting the high temperature value as 32°C Note: When the temperature is higher or lower than the temperature value that set, all the Admin will receive the temperature alert message High temperature alarm: The temperature is 30 degree Celsius. 2013-10-15 16:09 Tue
15	Checking the high or low temperature value LIVE	*17*	Temperature: 29 degree celsius. High temperature: 32 degree celsius. Low temperature: -2 degree celsius. 2013-10-10 16:54 Thu	Checking the Temperature Status LIVE
16	Delete the High and low temperature alarm value	*18*N#	High temperature: Low temperature: -2 degree celsius. 2013-10-10 16:56 Thu	N=0 means delete the low temperature alarm value N=1 means delete the high temperature alarm value For example: *18*1# to delete the high temperature alarm value

17	SMS Reply Message when the system ON/OFF	*21*N#	<p>Message switch <ON></p> <p>2013-10-10 17:06 Thu</p>	<p>N=0 means SMS Reply Message when the system OFF N=1 means SMS Reply Message when the system ON Factory Default as SMS Reply Message when the system ON</p> <p>If setting to not receive SMS Reply Message when the system OFF, the unit will return a message indicate successful setting for the command and it will no longer sending SMS reply until the setting of SMS Reply Message when the system ON is done. When the system having the temperature alert, it will automatically sending the alert message to the Admin</p>
18	To receive SMS Reply Message or not to receive SMS Reply Message when the system trigger by phone call	*22*N#	<p>When sending command *22*0#</p> <p>Status switch <OFF></p> <p>2013-10-10 17:10 Thu</p> <p>When sending command *22*1#</p> <p>Status switch <ON></p> <p>2013-10-10 17:08 Thu</p>	<p>N=1 means after make the phone call to the system, it will return the SMS for the status to the caller N=0 means after make the phone call to the system, it will not return the SMS for the Status to the caller Factory Default as return SMS for the status after make the phone call</p> <p>** If you decide not to allow the system to text you for any acknowledgement after you call to the unit. You can switch OFF the text message. Some Customer request this function because texts reply involved call cost</p>
19	Security mode/ Open Mode	*23*N#	<p>When Setting as Security Mode *23*1#</p> <p>Mode switch <ON></p> <p>2013-10-10 17:13 Thu</p> <p>When Setting as Open Mode *23*0#</p> <p>Mode switch <OFF></p> <p>2013-10-10 17:13 Thu</p>	<p>N=1 means in security mode. Only allow the number in the list can text to the unit to control the system. N=0 means in open mode. Anybody can call to the unit to control the system. Please take note that the Privacy and Security before you decide to use the Open Mode</p> <p>Factory Default is N=1 for Security Mode</p>

20	SMS Text Message to Switch On/Off Relay	*24*N#	<p>When Setting as *24*1# Master relay <ON></p> <p>2013-10-10 17:13 Thu</p> <p>When Setting as *24*0# Master relay <OFF></p> <p>2013-10-10 17:13 Thu</p>	<p>N=1 means switch on the relay by SMS Message N=0 means switch off the relay by SMS Message</p>
21	Edit Input Messages for the system	*26*N*XXXXXXX#	<p>When Setting as *26*0*The equipment has already started!#</p> <p>Startup user defined information: The equipment has already started!</p> <p>2013-10-10 17:24 Thu</p>	<p>N=0 means Edit for Input Messages for the system when switch on</p> <p>XXXXXXX is the text messages content which can up to 70 alphabet. When the text message content successfully programmed, it will overwrite the system default text messages</p>
31	Check input messages programmed in the system	*27*N#	<p>When Setting as *27*0#</p> <p>Startup user defined information: The equipment has already started!</p> <p>2013-10-10 17:36 Thu</p>	<p>N=0 means Check the Input Messages for the system when switch on</p> <p>If there is no text message programmed, it will return a SMS with Blank Message</p>
32	Delete input messages programmed in the system	*28*N#	<p>When Setting as *28*0#</p> <p>Startup user defined information:</p> <p>2013-10-10 17:42 Thu</p> <p>After delete success, when system restart, admin will receive the default text message</p> <p>System startup!</p> <p>Master relay <OFF></p> <p>2013-10-10 17:45 Thu</p>	<p>N=0 means Delete the Input Messages for the system when switch on</p> <p>If there is no text message programmed, it will return a SMS with Blank Message</p>

33	Method the relay ON when there is alarm	*32*N#	<p>When sending *32*1#</p> <p>Linkage: High temperature.</p> <p>2013-11-30 09:44 Sat</p>	<p>N=0 means when the system have alarm alert, it will not switch on the relay (the relay will not action if there is any alarm alert)</p> <p>N=1 mean when high temperature will switch on relay, when low temperature will switch off relay</p> <p>N=2 means high temperature will switch off relay, when low temperature will switch on relay</p> <p>Default as N=0 which when reach the pulse counter value will switch on relay</p> <p>** This command only can operate when the Master Relay under Open Mode (which mean the command *23*0#). If it is under Security Mode, the Master Relay will no function</p>
----	---	--------	--	---

Step 3 - Installation



Insert the SIM card, to access the SIM card carrier gently push the button adjacent to it, insert the SIM card and carefully close the carrier

Connect the cable to terminals 110V - 220V & N ensuring positive is connected to terminal 110v - 200V, switch on the power supply , the red power LED will light indicating power is present, the blue network LED indicator will initially flash quickly, once logged onto the network , it will flash more slowly approximately one every 3 -4 seconds

It is recommended that the GSM Remote Control Switch be programmed to operate as required before final installation.

Connection Details

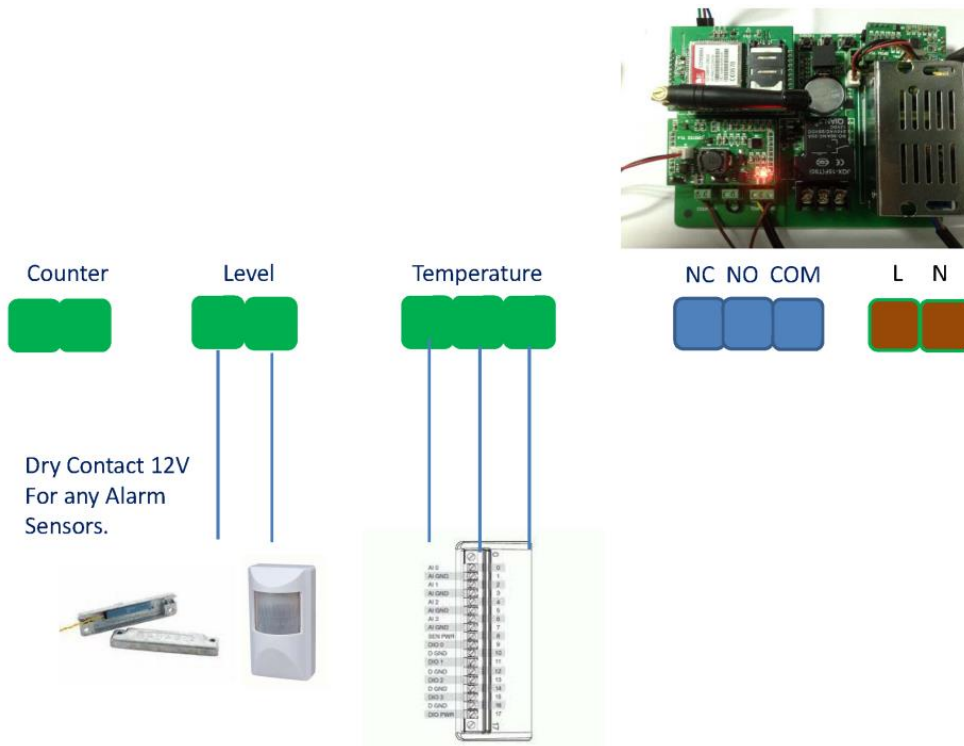
If you are unsure how to connect the device you wish to control refer to a qualified person

Connector	1	2	3	4	5	6	7	8	9	10	11	12	13
Board Label	J12		J16		J14			J3			Power supply		
Description	Pulse counter		Line		Temperature alarm			Relay			Power supply		
Details	+	-	line	GND	Data	GND	+5V	NC	NO	Com	E	N	L

Note:

1. The Temperature Input is only work with our Temperature Sensors
2. The Connect 11 ,12 , and 13 is inside the Industry Power Supply
3. If Wire between the J16 (Connector 3 and 4) Is Disconnect the Admin number will receive SMS
Alarm:The line is broken!
2013-10-15 16:24 Tue

Example Wiring Diagram For Digital And Analogue Input



Example Connection of Relay Output to Water Supply, Pumps, AC

Wiring Diagram



G N L

Easy-Switch



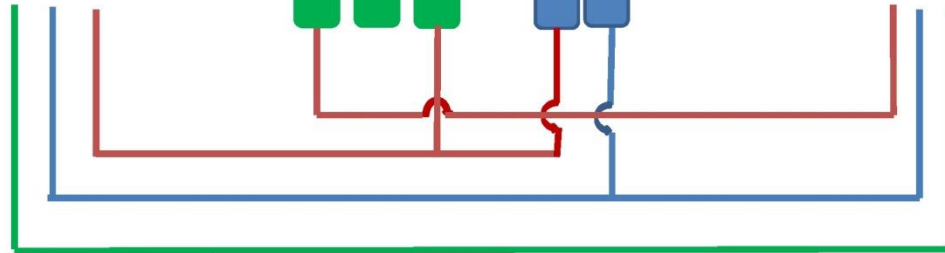
NO NC COM

L N

GSM Remote Switch



L N G



Wiring Diagram



G N L

Easy-Switch



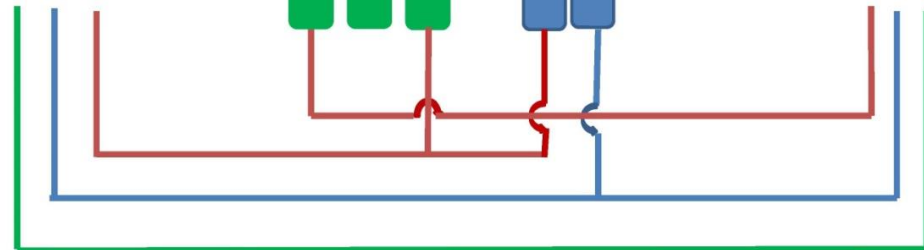
NO NC COM

L N

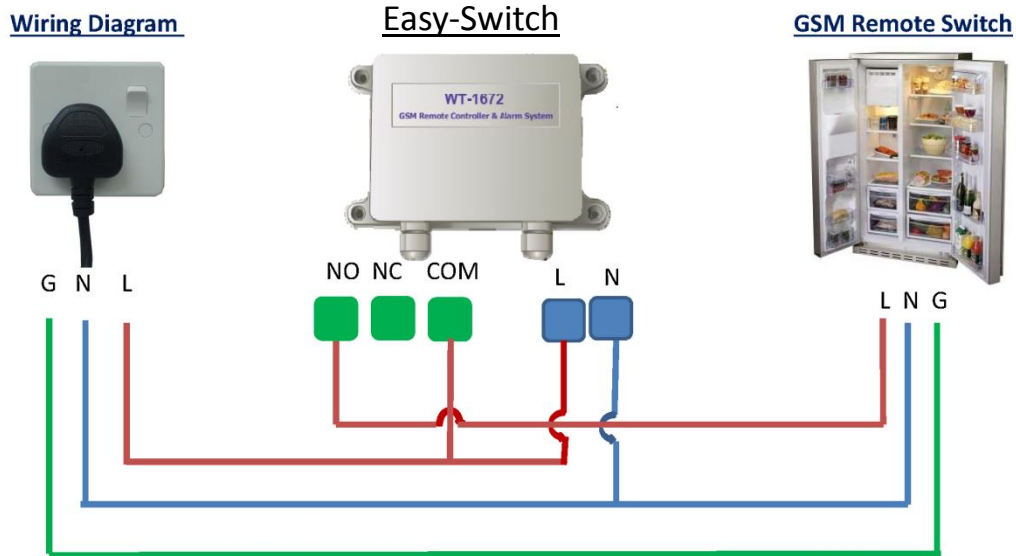
GSM Remote Switch



L N G



Example Connection with Freezer



Production Specifications

Operation Voltage	12 volts DC
Operating Current	Maximum 500mA, typically 55mA
Relay Contacts	1 x Normally Open and Normally Closed Contacts maximum switching capacity 20 amps @230v ac per relay
GSM Frequency MHz	GSM 850, GSM 900, GSM 1800, GSM 1900
Humidity	Less Than 80% RH
Operating Temperature	-20c to 55c
Physical Size	130 x 100 x 50mm
Protection	IP 65 Weather Proof Casing
Approvals	C.E, FCC, ETSI

Preparing the SIM card

All new SIM cards have to be registered with the network provider before they can be used, usually by calling the network provider or registering on their website please refer to the instructions supplied with your SIM card.

During the registration procedure a confirmation code or text message is usually sent to the SIM cards telephone number, to be able to read and react to the message you will need to insert the SIM card into an unlocked mobile phone.

After successfully registering the SIM card, ensure there is sufficient credit on the card for programming confirmation texts to be sent from the GSM Remote Control Switch.

You MUST ensure that the PIN request is disabled from the SIM card before inserting it into the GSM Remote Control Switch. If you do not disable the PIN request the GSM Remote Control Switch will not work. If the PIN request is not disabled and the unit is switched on more than 3 times you will have to reset the PIN using the PUK code which will have to be obtained from the service provider.

To check the PIN request status of your SIM card, place the card in an unlocked mobile phone, switch the phone on. If you are able to make calls without entering a PIN number the PIN request is disabled. If a PIN number is requested refer to the instructions supplied with the SIM card and then look through the phones options for the 'disable PIN request' and disable it.

You MUST disable any voicemail that is set up on the SIM card; the codes shown below are for UK networks only, please refer to your network operator if outside the UK

Vodafone: 1210 >Send - you will hear 'order is accepted and confirmed'

O2 - Call 1760 >Send - you will hear 'order is accepted and confirmed'

T-Mobile - Call 222 and follow instructions

Orange - Call 450 and follow instructions

The SIM card is now ready to use

We recommend that if you are using a 'pay as you go' (PAYG) SIM card that you choose to automatically 'Top-Up' when the cards credit falls below a certain limit please contact your network provider or visit their website for more details.

Most but not a using post-paid SIM cards will be de-activated by the network if not used to make an outgoing voice call or send an SMS text message within a specific period. To prevent this simply send the GSM Remote Control Switch a text command *0*PW#, then *2*, it will reply by text message, do this once a month to keep the SIM card active.

Troubleshooting

1. Red power LED not alight	Ensure that your DC power supply is connected correctly, positive (+) to terminal 220v and negative (-) to terminal N. Verify 12 volts is present using a volt meter
2. Blue network LED flashing every one second and not every 3 seconds	Ensure your SIM card has been activated and that the PIN request has been disabled. If the unit is in a low signal strength area consider using an external GSM antenna or changing to another network provider
3. I am not receiving confirmation test messages when program the administrators number	Ensure your telephone number is in the Administrator list and that sending text messages to your number is enabled.
4. I am not receiving any text messages when initially programming the unit	Ensure the unit is connected to the GSM network by observing the blue network LED; it should be flashing once every 3 seconds (see 2 above). Ensure the SIM card has credit
5. The unit has been working for several months and has now stopped responding to calls and text commands	Most but not all PAY SIM cards will be de-activated by the network if not used to make an outgoing voice call or send an SMS text message within a specific period. To prevent this simply send a txt command *0*PW#, then *2*, it will reply by text message, do this once a month to keep the SIM card active